

COUNTY-WIDE CERTIFICATE OF APPROPRIATENESS

Safety fencing

DESIGN CRITERIA		
Height	No taller than required for safety.	
Materials	<ul style="list-style-type: none"> No chain link. No chain link with vinyl slats. Vinyl is generally not appropriate for the EC. It may be considered in situations where it is located at a distance from the EC if the surface is not shiny or reflective. Planting along the fence may be considered a mitigating factor for vinyl fencing, if the planting will have immediate impact. 	
Colors	Colors should be dark; for example, black or Charleston green.	No shiny, reflective finishes.
Style	Styles should be similar to those examples previously approved by the ARB. (See 10/31/08 memo.)	

COUNTY-WIDE CERTIFICATE OF APPROPRIATENESS

Screening fencing

DESIGN CRITERIA			
Height	Height should be as low as possible while maintaining full screening.		
Size/Scale	Lengths of 80' or more must provide variation by using changes in height, different material combinations, projections forward or back, piers, other similar features, or a combination of these.	Length of fence should be mitigated through surface relief, either in detail or massing.	
Structure Design	Minimize the place of the fence structure in the landscape. Design and detailing should be simple.	Detailing should be used to mitigate surface and texture.	Ornamental screening fences may be approved on a case-by-case basis.
	Fences along pedestrian routes should be scaled and detailed relative to human size.		
Materials	Possible fence materials include wood, wood composite, stone, brick, decorative concrete block, metal panels, or a combination of these materials.	No chain link with or without vinyl slats. No barbed wire, razor wire or similar devices. Length and visibility of fence will be considered in determining appropriate fence material.	Metal panel fencing will likely require planting along the fence for mitigation.
	Fence material should match or complement the materials found on the building and/or adjoining structures or landscape.		
	Fence materials should have a proven track record		

	of durability and longevity relative to color retention and overall appearance.		
Colors	Color should be neutral – for example: gray, brown, or black. A white screening fence will rarely be appropriate.	No shiny, reflective finishes. Flat finishes are required.	
Planting	Planting should be used in masses to mitigate the visual impact of the length of the fence.	Placement of planting shall be sufficient to allow for proper plant growth.	Fences longer than 40’ shall include one evergreen tree or 3 shrubs for each 40-foot section or portion thereof planted on the public side.
Location	Areas requiring screening should be placed behind buildings, as viewed from the EC. If buildings are not available for screening, areas and features to be screened should be located as far from the EC as possible.		
	Locating screening fences along pedestrian paths should be limited.		



COUNTY OF ALBEMARLE
Department of Community Development
401 McIntire Road, North Wing
Charlottesville, Virginia 22902-4596

Phone (434) 296-5832

Fax (434) 972-4126

MEMORANDUM

TO: Amelia McCulley, Zoning Administrator
FROM: Margaret Maliszewski, Principal Planner
RE: **EC-Appropriate Security Fencing**
DATE: October 31, 2008

At its September 15, 2008 meeting, the ARB identified three types of security fencing considered appropriate for the Entrance Corridors. The action memo from that meeting reads as follows:

Security Fencing: Examples

Regarding appropriate security fencing types for the Entrance Corridors, it was the consensus of the ARB that the following fencing types are acceptable:

1. The vertical pickets at Rio Road near the Fashion Square Mall entrance,
2. The security fence approved for CTS, which is similar to the Scott Stadium colonnade, but it must have a top rail,
3. The metal picket fence at HTC.

All must be in dark colors; for example, black or Charleston green.

We have gathered some additional information on these fences for your information. Please see the following pages.

1. Rio Road Fence

The **Rio Road fence** runs along the south side of Rio Road East, east of Hillsdale Drive. It was installed in the last year or two. I do not have a spec for this fence. Although the style fence is considered appropriate, the color of the fence is not considered appropriate for the EC. This fence, and all other security fencing for the ECs, should be a dark color; for example, black or “Charleston Green”.



Fence on south side of Rio Road East, located east of Hillsdale Drive.

2. CTS and Scott Stadium Fences

The **Scott Stadium** fence is an Omega Fence Systems Inc. product. Following are a photo of the Scott Stadium fence and two pages from the Omega catalog.



Scott Stadium fence.

Technical data

- Heavy duty 6 gauge steel wire (1927), tensile strength of 75,000 psi welded into mesh.
- Breaking load: 2,172 lb. per individual wire.
- Minimum weld-shear strength of this 6 gauge wire is 1,015 lb. (4,488 Newton), meeting and/or exceeding ASTM A183 standards.
- Mesh sections are reversible and can be installed with either flat or pointed ends up.
- Wire zinc coating as per ASTM A 641 - Class I. Coating weight of 5 oz./ft.² (150 g/m²).
- Omega Systems post: galvanized 16 gauge cold rolled steel with a nominal thickness of .0635 in. (1.6 mm), as per ASTM A 446 - Grade A, coating designation G90 (minimum zinc-coating weight of 50 oz./ft.²). Steel yield point: 33,000 psi minimum (225 mpa). Tensile strength: 45,000 psi minimum (307 mpa). Weight per foot: 2.8 lb. (4.1 kg/m).
- Polyester coating: High-adherence electrostatic polyester powder coating for increased impact resistance, exterior durability (UV stability), corrosion and heat resistance. Minimum thickness: 4 mils (100 microns).

Mechanical tests:
Adhesion: ASTM D3359 (cross hatch) method B.
Impact resistance: ASTM D3784.


Chemical/durability tests:
Salt spray resistance ASTM B117.
Humidity resistance ASTM D2247.

• Dimensions: All mesh sections are 93 3/8" long to fit between two posts at 8' center, and are available in 4', 5', 6' and 8' heights.


**Changing
the Face
of America**

Distributed by:


Stamie E. Lytle Co., Inc.
P.O. Box 24206
2210 E. Belt Boulevard
Richmond, Virginia 23224
Virginia Registered Contractor 006430



Omega Fence Systems Inc.
3000 Francis-Hugans Street
Loyal, Virginia 22115
Tel: (814) 883-4200
Fax: (814) 883-3049
E-MAIL: info@omegafence.com



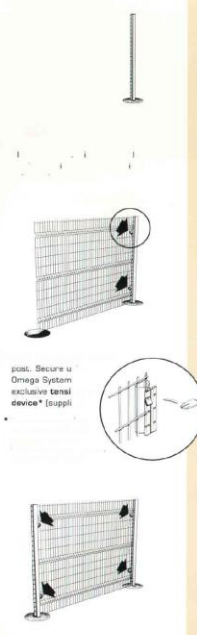
Omega fence catalog (Scott Stadium).



Balmoral Golf Inc.,
Morris Heights


"Ours is a very exclusive club. People who come here expect the best and as far as we're concerned, Omega Systems fence we put up around our pool is the best. By adapting to the landscape and allowing an unobstructed view of the course, it became an integral part of our environmental design."

H. Soudavar,
President



post. Secure it with Omega System exclusive special device* (suppl)

Configuration Flexibility

 's tool-free installation they are not the only ant features. Other

ations make an Omega Systems fence an obvious choice.

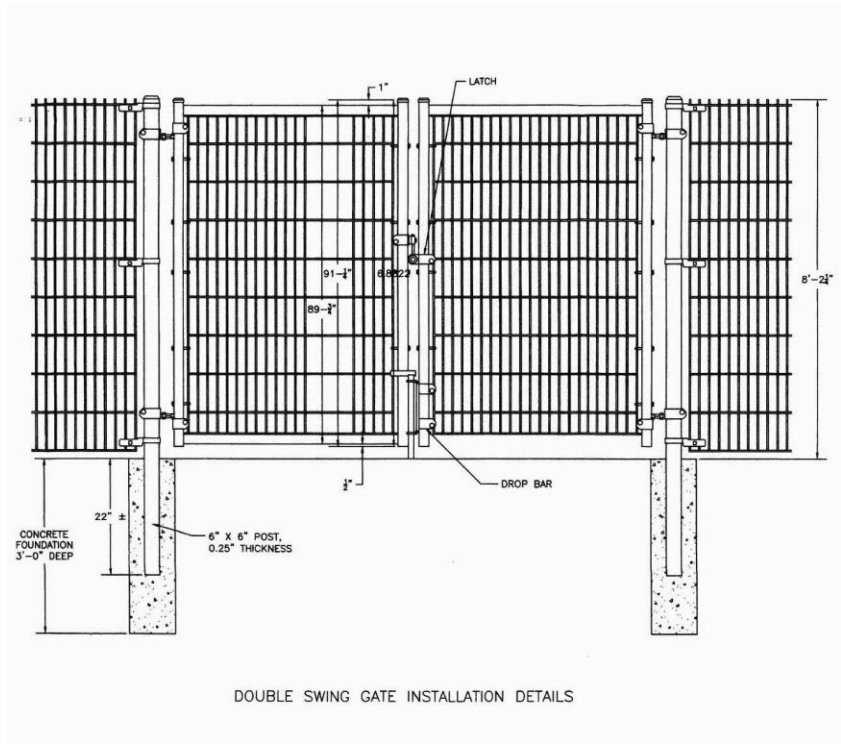
Omega posts can be adjusted in 3-inch (75 mm) increments for installation on uneven terrain. Furthermore, the system's considerable configuration flexibility makes it possible to circumvent obstacles such as trees, ponds, gardens, etc. to integrate with the most natural settings.

The Omega hinge emerges as yet another startlingly simple though innovative device. Turning any Omega post into a hinge, it provides for the installation of pedestrian gates virtually anywhere. Gate openings whose width can be adjusted in 2-inch increments may, in fact, be cut into the mesh wherever a pedestrian access is required.

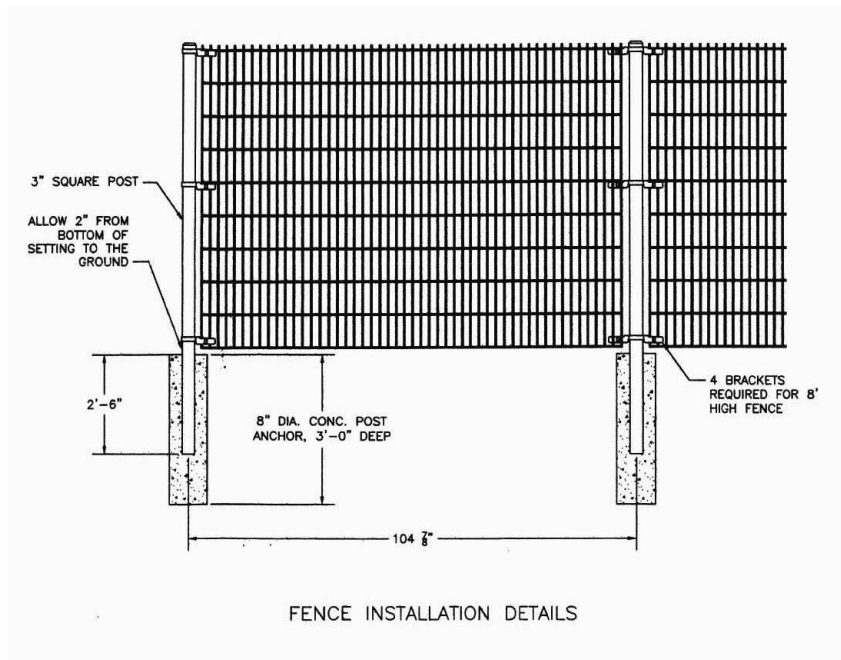
Surround a pool, a home, a neighborhood. Surround a country club or golf course. Surround a corporate building, industrial complex or institution. Surround with **Omega Systems...for beautiful surroundings!**

Omega fence catalog (Scott Stadium).

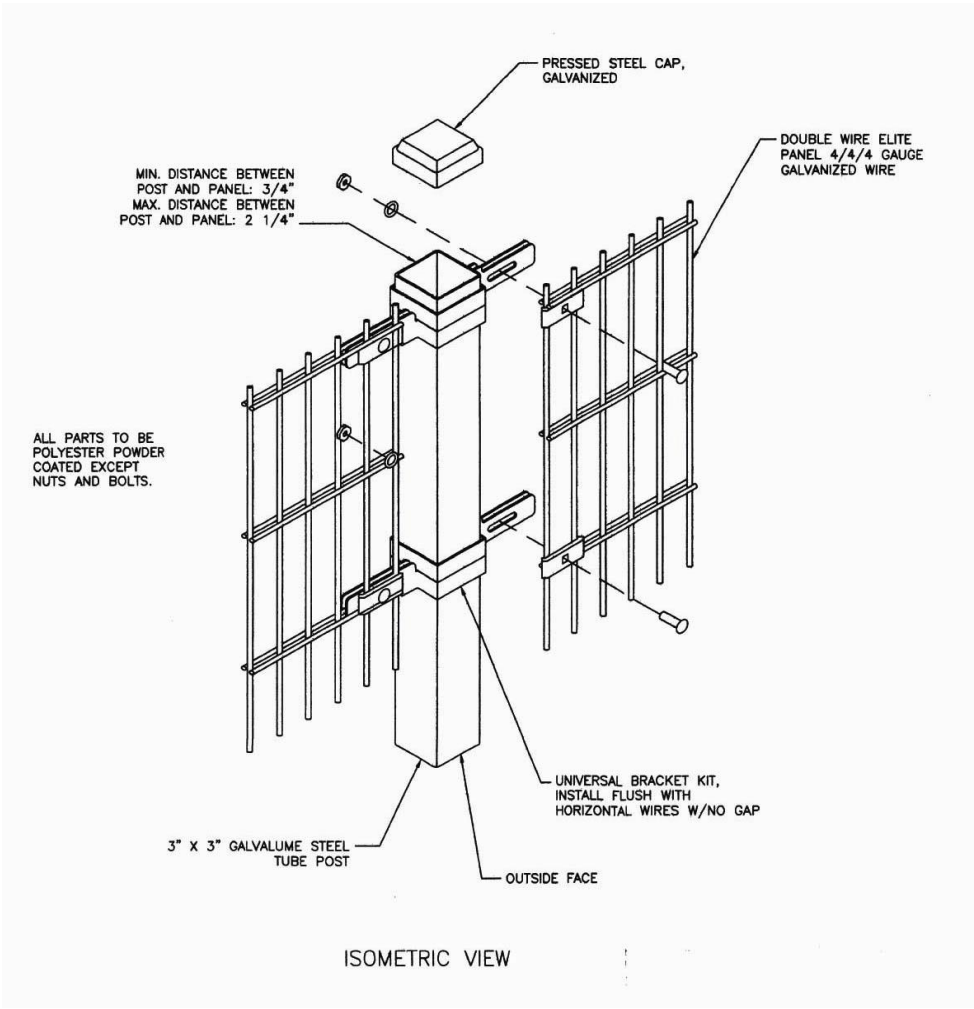
The CTS fence is a fence that has been approved by the ARB but it has not yet been constructed. Following are a number of details taken from the CTS drawings submitted to the ARB for review.



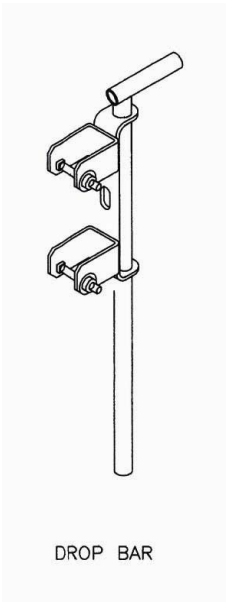
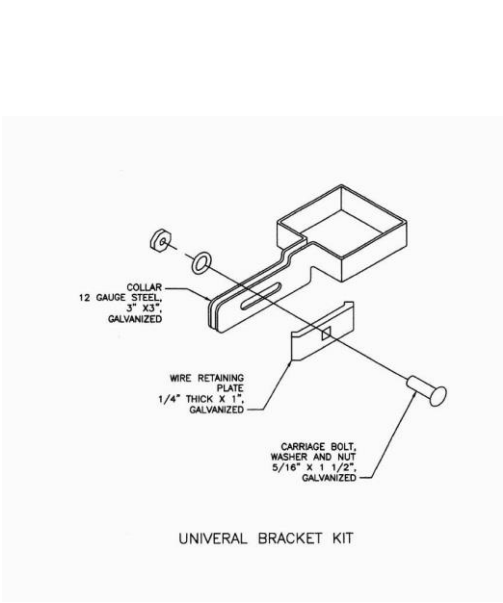
CTS fence detail.



CTS fence detail.



CTS fence detail.



CTS fence details.

3. Hollymead Town Center fence

Our research indicates that the fence located along the west side of the Target building in the **Hollymead Town Center** is a style called “Majestic” from a line called “Aegis Plus” produced by a manufacturer named “Ameristar”. (This information comes from Dan Tuckwiller with the Long Fence Company.) There are several fences by other manufacturers that are very similar to this one. Ameristar’s web address is: www.ameristarfence.com The “Majestic” page from their catalog can be found at this link: <http://www.ameristarfence.com/Architectural%20Brochure.pdf>



Hollymead Town Center fence, west of Target.

Detail of HTC fence.



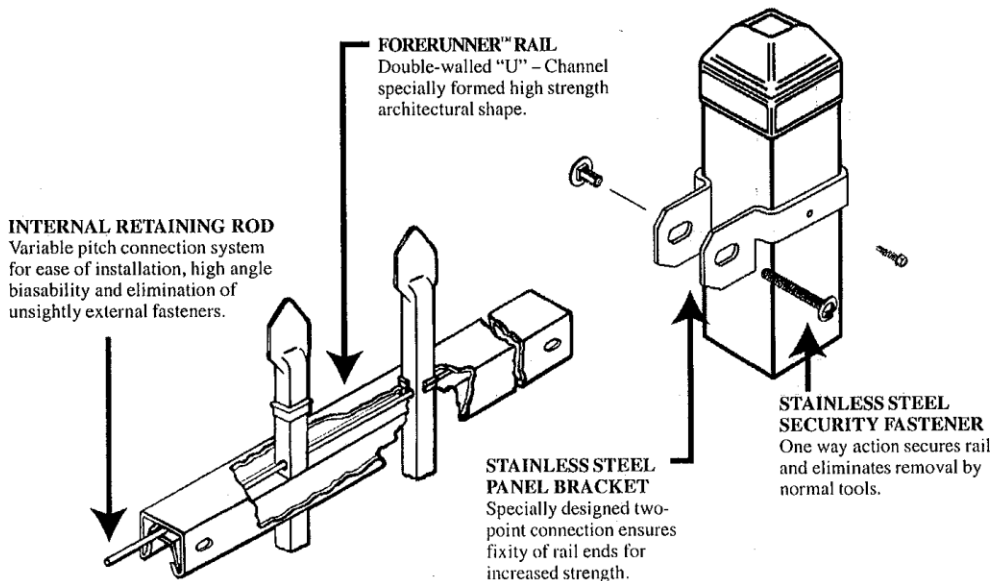
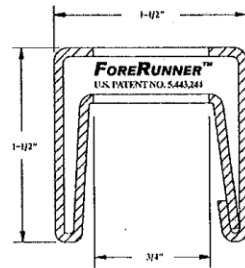
Copies of two Aegis catalog pages follow.

AEGIS PLUS™

COMMERCIAL ORNAMENTAL FENCE

Aegis Plus Rails: Double-walled channel 1-1/2" Sq. x .150" (effective wall thickness)

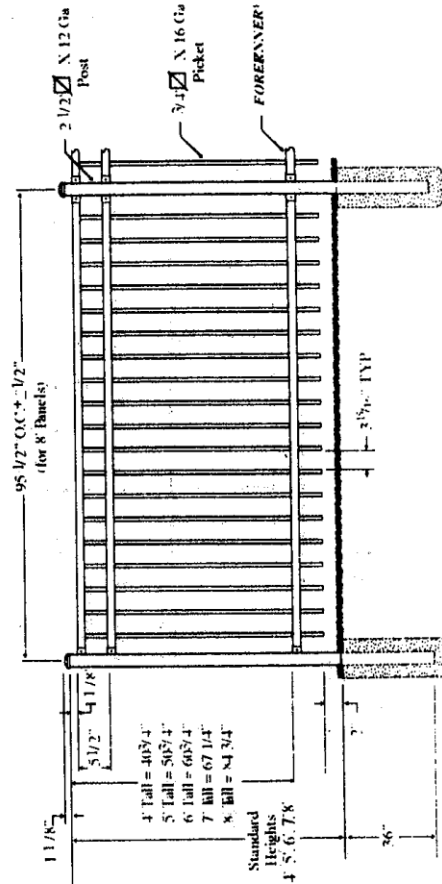
Aegis Plus Pickets: 3/4" x 3/4" x 16 Ga.



STRENGTH • SECURITY • VALUE • QUALITY • APPEARANCE

is. (See pricing on page 7-17)

1/2" Rail			
1/2"	3"	2-1/2"	3"
Commercial Flat Mount (BB306)		Commercial Swivel (BB312)	
-1/2"	96"	97"	97-1/2"
3/4" Rail			
3/4"	3"	2-1/2"	3"
Commercial Flat Mount (BB306)		Commercial Swivel (BB312)	
-3/4"	77-1/4"	78-1/4"	78-3/4"



NOTE: 6' Panels will be identical to this drawing, except there will be 15 pickets and post spacing will be 76-3/4" O.C. +/- 1/2".